



DISC AND SPHERE DESK LAMP

Materials:

Powder coated metal, polished brass, glass

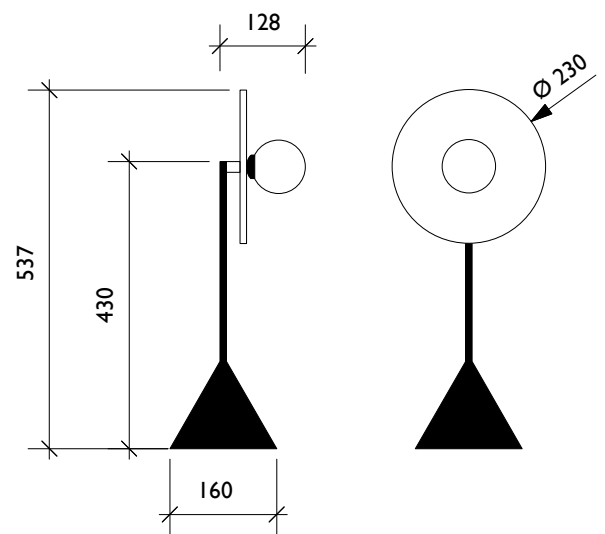
Colour options:

black / white, other colors available on demand

Bulb specification:

G9 lampholder (LED or halogen bulb possible) max 25W

Sizes in mm.



ARETI

www.atelierareti.com info@atelierareti.com

Our collections are hand made and made to order, small irregularities in shape or surface will occur, they are inherent to the hand made process and should not be seen as flaws. Variations in colour and size are available for some collections, please contact Areti for more details.